

S-Series 450 Ice Cube Machine



Manitowoc



S-Series 450
Ice Machine on B-400 Bin

-
- SANITATION**
We've made it simple to clean
 - SAVINGS**
The perfect balance of power and efficiency
 - SOUND**
Designed to run whisper-quiet
 - SERVICEABILITY**
Easy access means less downtime
-

- Up to 460 lbs. (209 kgs.) daily ice production
- Up to CEE Tier 2 energy and water efficiency rating
- Only 30" (76.20 cm) wide
- Removable water distribution tube with no tools
- Food zone designed with soft, round, cove corners
- Patented cleaning and sanitizing technology
- Select components made with AlphaSan® antimicrobial

- Hinged front door for easy access
- Warranty
 - 5-year parts and 5-year labor coverage on ice machine evaporator
 - 5-year parts and 3-year labor coverage on ice machine compressor
 - 3-year parts-and-labor coverage on all other ice machine, dispenser, and storage bin components

CEE  Energy Efficiency Ratings Specified on Back

America's #1 Selling Ice Machine

Ice Cube & Flake Machines • Ice Storage Bins • Ice Dispensers

Manitowoc
Foodservice Group

Manitowoc S-Series 450

| Model | Ice Shape | Ice Production 24 hours | | | | Power kWh/100 lbs. | CEE* Rating |
|----------|-----------|-------------------------|------|---------|------|--------------------|-------------|
| | | 70°/50° | | 90°/70° | | | |
| | | lbs. | kgs. | lbs. | kgs. | | |
| SY-0454A | half-dice | 460 | 209 | 365 | 166 | 6.3 | Tier 2 |
| SY-0455W | half-dice | 465 | 211 | 400 | 181 | 5.1 | Tier 1 |
| SD-0452A | dice | 455 | 206 | 345 | 157 | 6.6 | Tier 1 |
| SD-0453W | dice | 435 | 197 | 385 | 175 | 5.1 | Tier 1 |

Water usage/100 lbs./45.4 kgs. of ice
Potable Water: 18 gallons, 68 liters • Water-cooled Condenser: 153 gallons, 579 liters

Order ice storage bin separately. *A or "W" following model number indicates "Air" or "Water" condensing unit.

Consortium for Energy Efficiency (CEE) is a North American nonprofit organization that promotes energy-efficient products, technologies and services; also the principal entity for the development of ice maker efficiency standards.



Certified in Accordance with ARI Automatic Commercial Ice-Cube Machines (Batch-Type) Certification Program, which is based on ARI Standard 810

Ice Machine Electric

115/60/1 standard. (208-230/60/1 and 230/50/1 also available.)

Min. circuit ampacity: Air-cooled: 13.6 amps
Water-cooled: 12.9 amps

Max. fuse size: Air-cooled, Water-cooled, Remote: 20 amps
HACR-type circuit breakers can be used in place of fuses.

Specifications

BTU Per Hour:
7,000 (average) 9,600 (peak)

Compressor:
Nominal rating: 3/4 HP

Cupra-Nickel Condenser:
(Water-cooled models)
Adds protection from corrosive water elements.

Operating Limits:

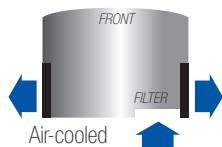
- Ambient Temperature Range:**
Air and water: 35° to 110°F (1.6° to 43.3°C)
Remote: -20° to 120°F (-29° to 49°C)

- Water Temperature Range:**
35° to 90°F (1.6° to 32.2°C)

- Water Pressure Ice Maker Water In:**
Min. 20 psi (137.9 kPa)
Max. 80 psi (551.1 kPa)

- Condenser Inlet Water In:**
(Water-cooled only)
Min. 20 psi (137.9 kPa)
Max. 150 psi (1,034.2 kPa)

Air Flow Top View



AuCS®SI Accessory



Automatic Cleaning System purchased factory installed in the machine or as an option for field retrofit.

2 Cube Sizes Available



Half Dice
3/8" x 1 1/8" x 7/8"
(.95 x 2.86 x 2.22 cm)



Dice
7/8" x 7/8" x 7/8"
(2.22 x 2.22 x 2.22 cm)

Space-Saving Designs



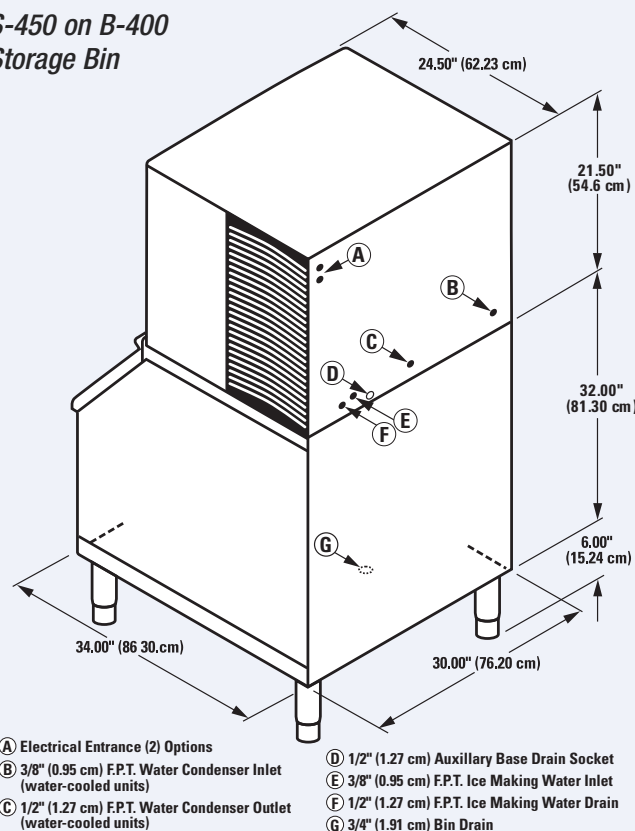
| | S-450 B-400 | S-450 B-570 |
|-------------|------------------------|------------------------|
| Height | 59.50" 151.13 cm | 71.50" 181.61 cm |
| Width | 30.00" 76.20 cm | 30.00" 76.20 cm |
| Depth | 34.00" 86.30 cm | 34.00" 86.30 cm |
| Bin Storage | 290 lbs. 131.7 kgs. | 430 lbs. 195.2 kgs. |

Height includes adjustable bin legs 6.00" to 8.00", (15.24 to 20.32 cm) set at 6.00" (15.24 cm). For comparison purposes multiply ARI capacity by 1.3 (30%) to arrive at approximate *Application Rating Capacity.*

| 24-HOUR PRODUCTION† | | | | | | | | lbs. kgs. |
|---------------------|----------------|-----|------------|-----|-----------|-----|------------|-----------|
| | HALF-DICE CUBE | | | | DICE CUBE | | | |
| | air temp | | water temp | | air temp | | water temp | |
| | °F | 50° | 70° | 90° | °F | 50° | 70° | 90° |
| | °C | 10° | 21° | 32° | °C | 10° | 21° | 32° |
| AIR-COOLED | 70° | 460 | 430 | 395 | 70° | 455 | 420 | 380 |
| | 21° | 209 | 195 | 179 | 21° | 206 | 191 | 172 |
| | 80° | 425 | 395 | 365 | 80° | 420 | 385 | 350 |
| | 27° | 193 | 179 | 166 | 27° | 191 | 175 | 159 |
| | 90° | 390 | 365 | 335 | 90° | 380 | 345 | 325 |
| | 32° | 177 | 166 | 152 | 32° | 172 | 157 | 147 |
| WATER-COOLED | 70° | 465 | 420 | 375 | 70° | 435 | 395 | 355 |
| | 21° | 211 | 191 | 170 | 21° | 197 | 179 | 161 |
| | 80° | 455 | 410 | 370 | 80° | 430 | 390 | 350 |
| | 27° | 206 | 186 | 168 | 27° | 195 | 177 | 159 |
| | 90° | 445 | 400 | 365 | 90° | 425 | 385 | 345 |
| | 32° | 202 | 181 | 166 | 32° | 193 | 175 | 157 |

†Data is published for 60 Hz machines. 50 Hz machines produce approximately 7% less ice.

S-450 on B-400 Storage Bin



Installation Note -

Minimum installation clearance— Top/sides: 8" (20.32 cm); Back: 5" (12.7 cm).



Look for the EnergyMizer™ mark and you'll know you're getting the most from every energy dollar spent on foodservice equipment. www.energymizer.com



MANITOWOC ICE, INC.
2110 South 26th Street, P.O. Box 1720
Manitowoc, WI 54221-1720, USA
Ph: 920-682-0161 • Fax: 920-683-7589
Visit us online at www.manitowocice.com

